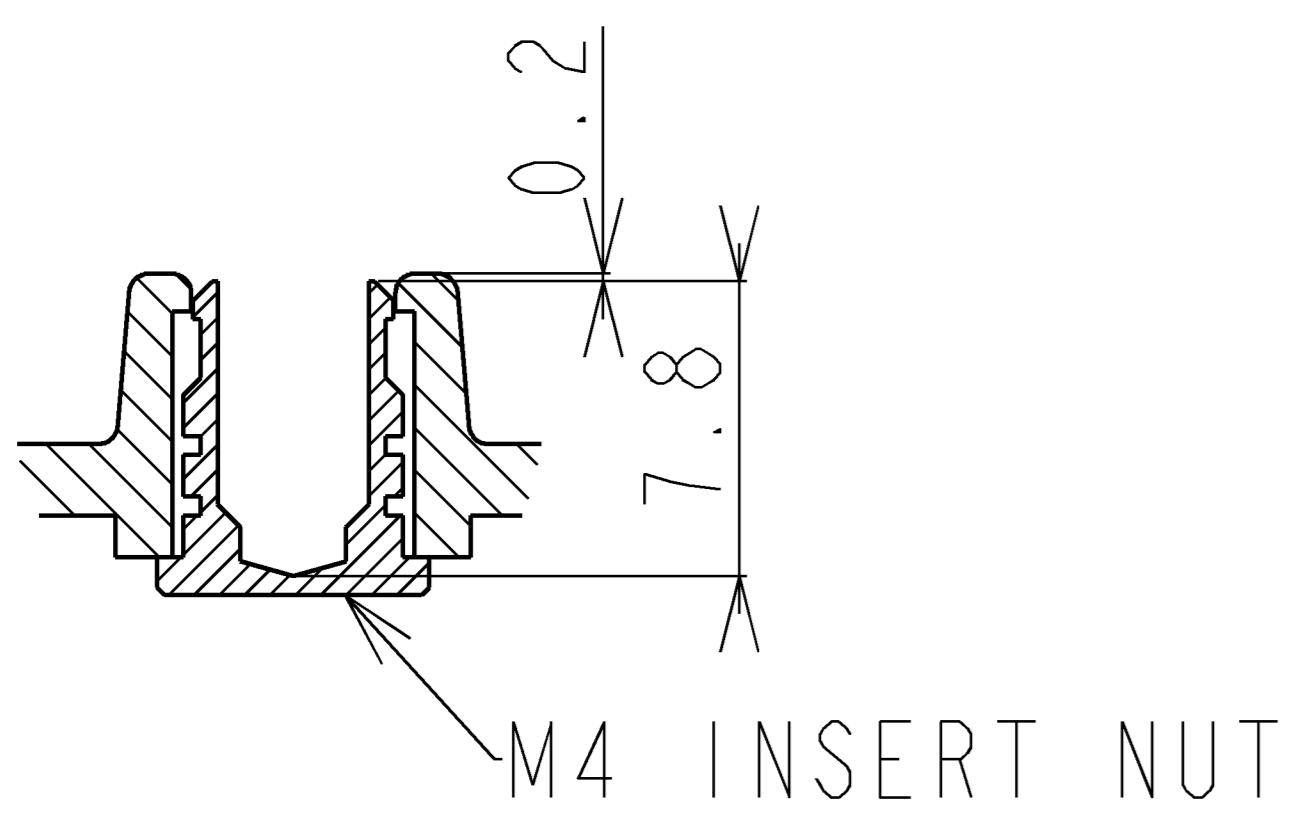


LENS CENTER



A-A  
5:1  
3 THREAD DETAILS

