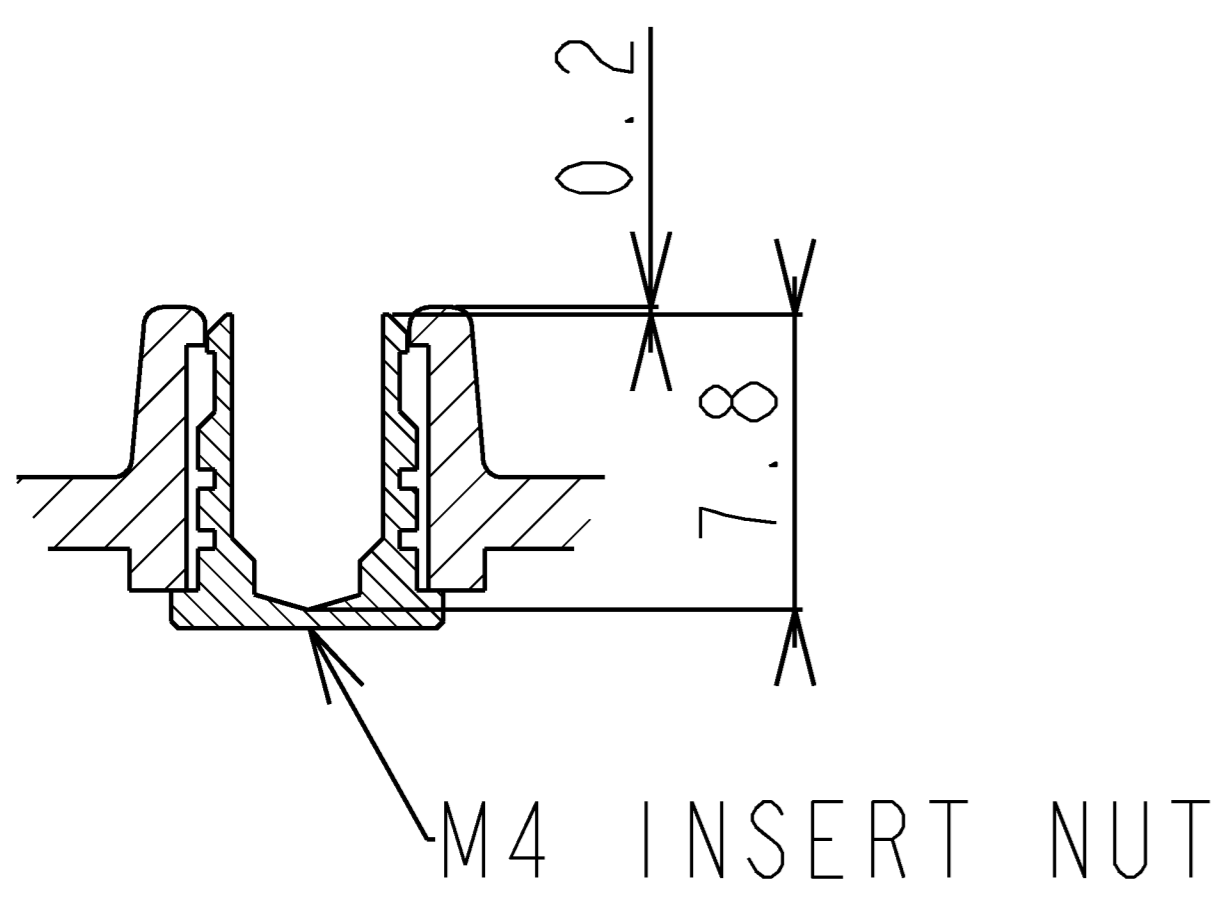


CEILING MOUNT SURFACE

LENS CENTER



M4 INSERT NUT

A-A
5:1
3 THREAD DETAILS

