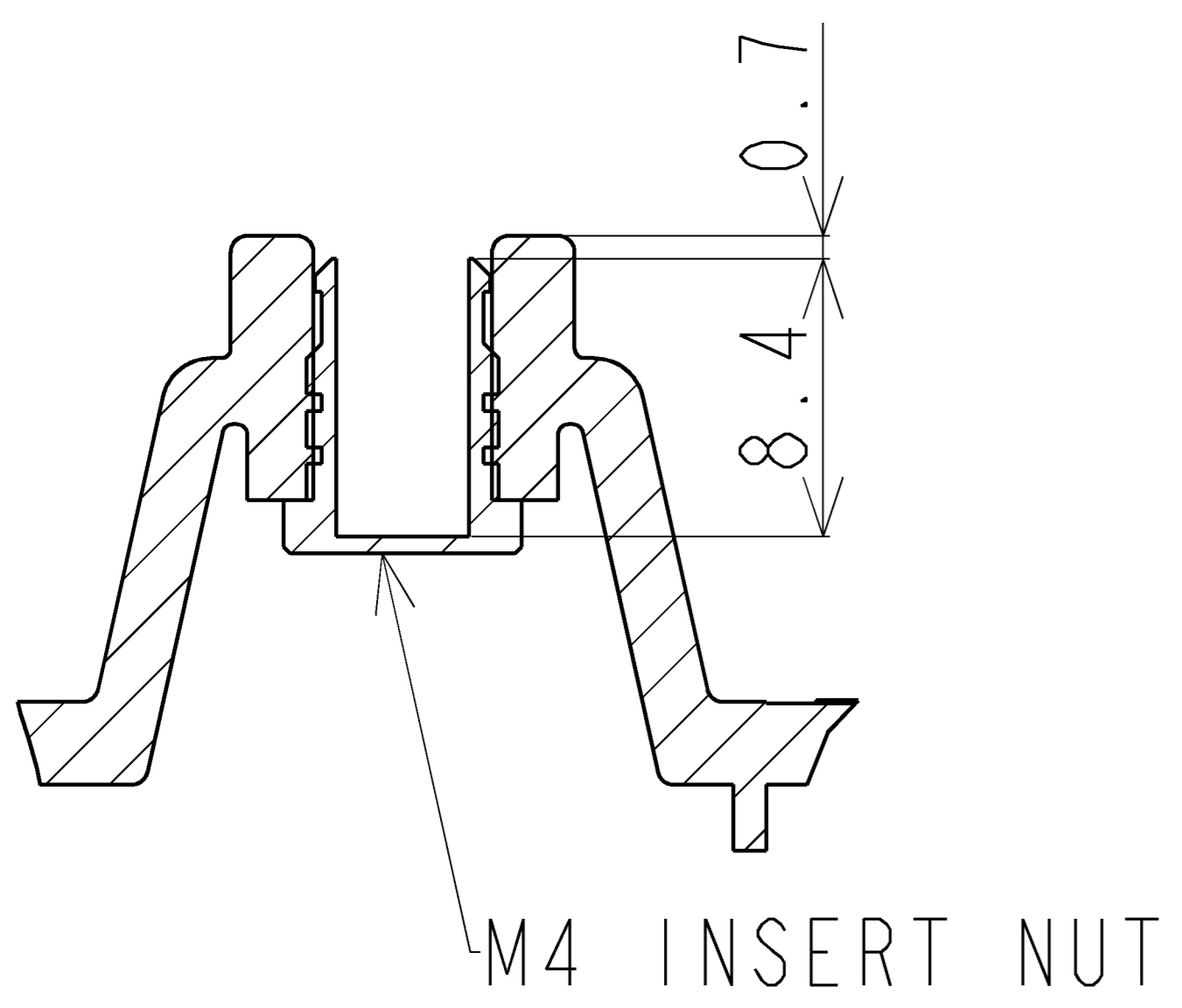
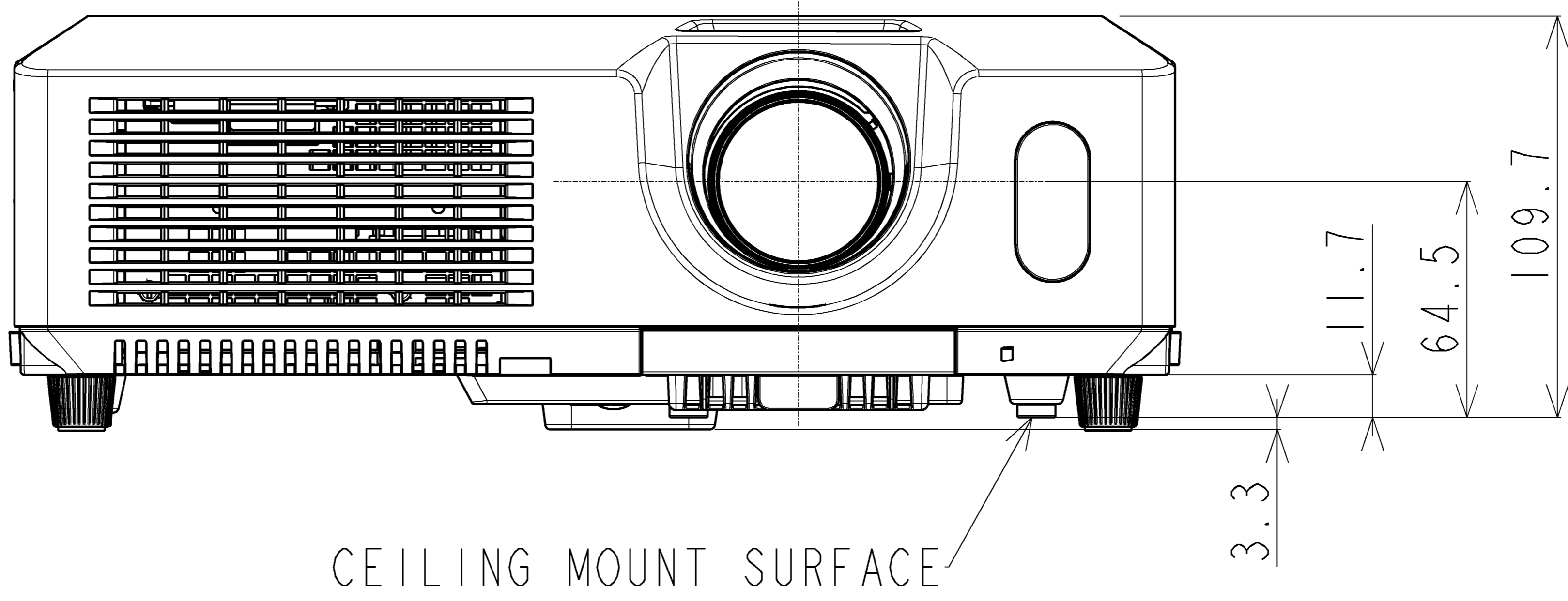


[UNIT: mm]



M4 INSERT NUT

A-A  
5:1  
3 THREADS DETAILS



CEILING MOUNT SURFACE

3.3

30  
LENS CENTER

