

Multi Functional Switcher Wireless Multi Functional Switcher

HITACHI
Inspire the Next



Transmit 1080p, 30fps video and images from various sources to your display device via a WHDI wireless or HDMI® connection.

MS-1W
MS-1



WR-HD1
(bundled with MS-1WL, incompatible with MS-1)

MS-1WL
MS-1

	MS-1W	+		WR-HD1
	MS-1	Wired switcher		

Wireless switcher & Receiver*1

*1 It does not correspond to the individual sales of MS-1W and WR-HD1.

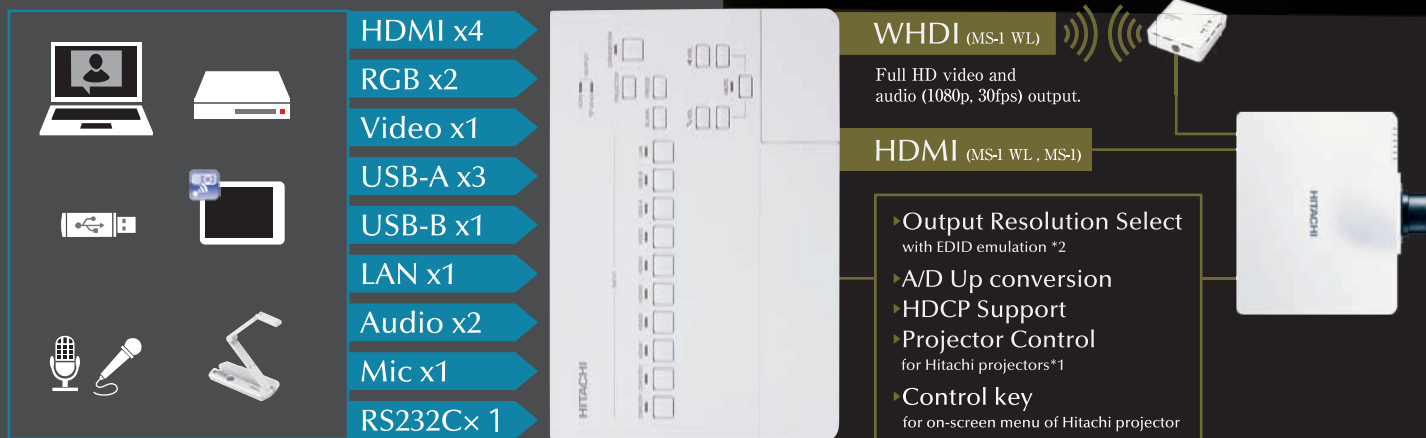
Wireless Multi Functional Switcher

Input

- Support for video and audio input, along with device control via a tablet or smartphone, PC-Less Presentation via USB, and connection of other peripheral devices.

Output

- Wireless output reduces installation costs and complexity.



AMX Device Discovery/PJ Link compatible

*1 Supported only on some projector models. Inquire at a vendor for details.
*2 EDID : Extended display identification data

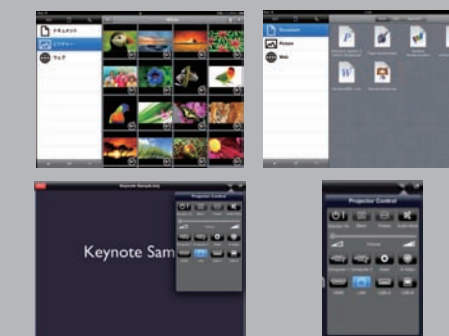
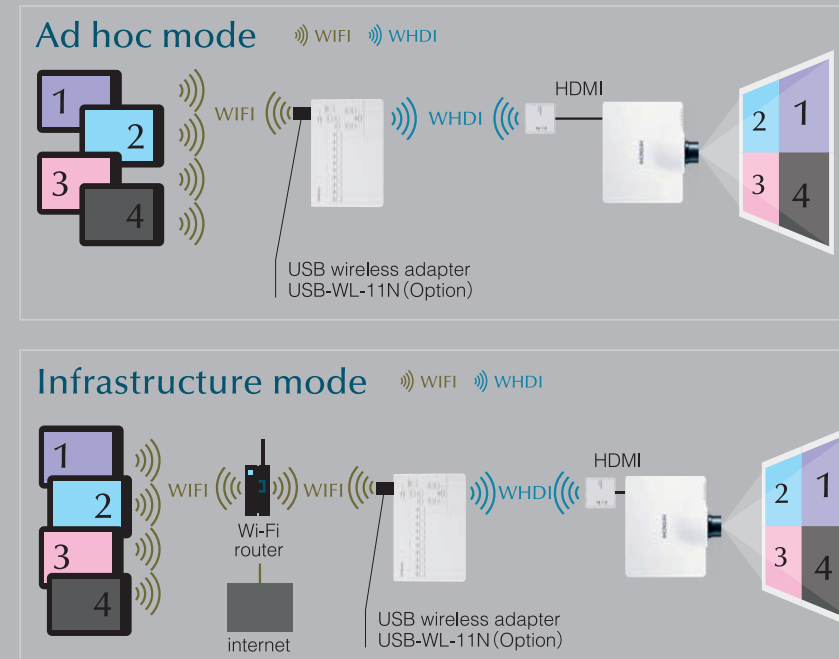
Projector Quick Connection

- Support for remote control of the projector and switcher
- Support for output of multiple presentations (Simultaneous output of up to 4 Tablets)
- MS Office files, iWork files, pdf files, image files (jpg and png), and webpages* can be projected. *Only if using Infrastructure mode.



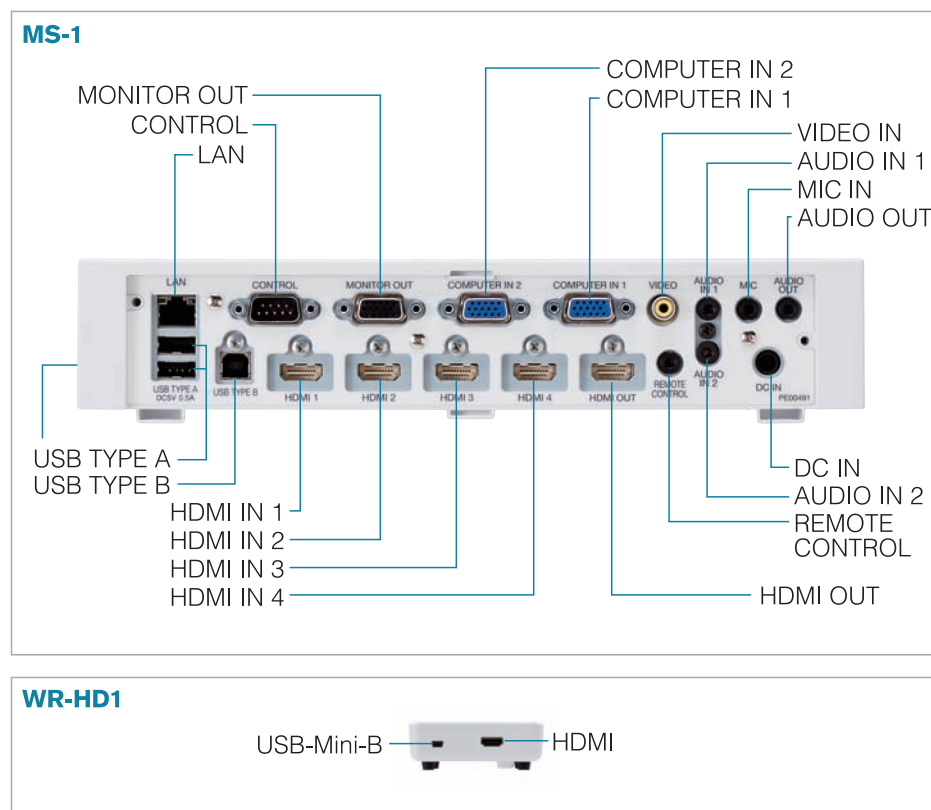
Smart Device Control

The MS-1 and MS-1WL incorporate most Hitachi projector functions like Picture Mode, Aspect, Blank, and Freeze, and are compatible with Projector Quick Connection, the dedicated application software for smart devices like smartphones or tablets. By plugging the USB wireless adapter to one of the USB Type A inputs of the MS-1 or MS-1WL and using Projector Quick Connection, you can wirelessly control those projector functions from your smart device just as if you had plugged the USB wireless adapter to a Hitachi projector.



*See the Hitachi website for details
http://www.hitachi.co.jp/proj/en/apps/pj_connection.html

Multitude of input/output interfaces



Scaling Capabilities

OUTPUT Resolution Select

The MS-1 and MS-1WL can automatically detect the resolution of input devices and automatically choose the best output resolution with EDID emulation.

A/D Up Conversion

The MS-1 and MS-1WL incorporate scaling capabilities like adjusting resolution, A/D up conversion, and more based on input signals. In terms of scaling functions, these switchers work as if they were Hitachi projectors.

Projector Control for Hitachi projectors*1

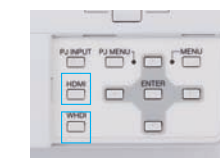
Directly access the projector on-screen display menu and control the projector's functions without having to go to the projector. Also, turn the projector ON and OFF from the MS-1 and MS-1WL.



Easy WHDI wireless and Wired Output Switching (MS-1WL only)

The MS-1WL can be switched between the HDMI output and the WHDI output with the press of a button.

* You cannot use the WHDI output and the HDMI output at the same time.



Receiver Power Auto ON/OFF

The WR-HD1 responds when the projector is turned ON or OFF and the receiver turns ON and OFF in conjunction with the projector.

HDCP Support

The HDMI inputs of the MS-1 and MS-1WL support HDCP-compatible devices. Connect DVD players and other devices that play content with HDCP.

Solution for Challenging Rooms (MS-1WL only)

The MS-1WL offers a solution that opens up the possibilities of using projectors in more challenging rooms that previously could not entertain altering the aesthetics of a room. For example, museums or rooms with marble flooring or hard-to-alter fixtures where wiring can be costly and difficult.

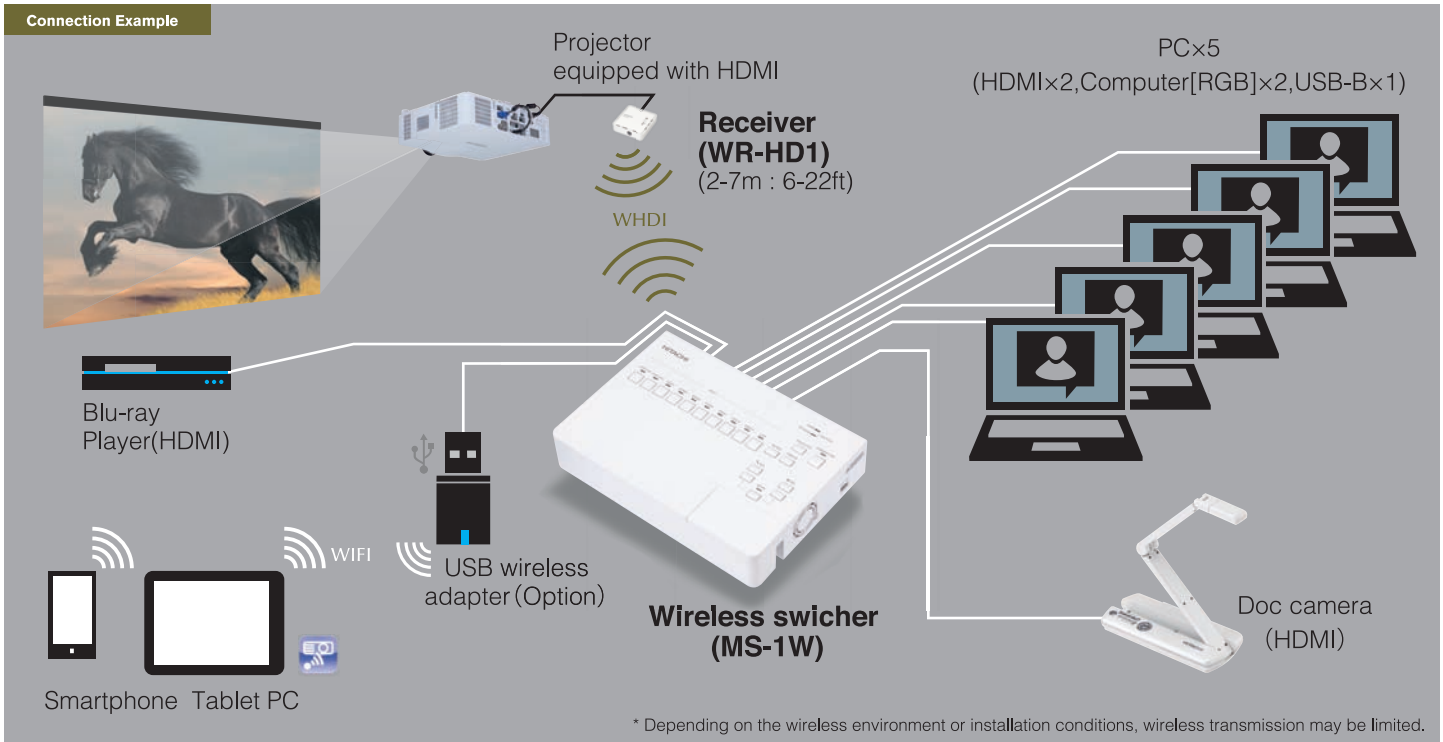
Flexible Installation (Wall mount)

Using the included bracket, the MS-1 and MS-1WL can be mounted on a wall. It can be mounted facing up, down, left or right.

* Make sure to inform your dealer or service representative of the mounting direction when installing.

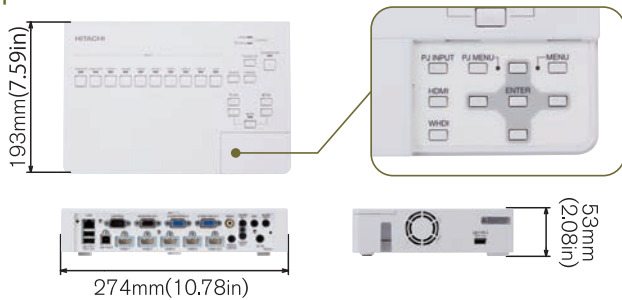


Connection Example



Dimensions

MS-1



WR-HD1



Specifications		WR-HD1 (bundled with MS-1WL, incompatible with MS-1)
Input	Digital	WHDI Input
Output	Digital	HDMI x 1 (VGA/XGA/WXGA/720p/1080p)
Structure	Dimensions WxDxH	95x95x31.2mm(3.74x3.74x1.22in)
	Weight (body)	125g (0.28lb)
Power		DC: 5V, 1.5A (Power is supplied from AC adapter bundled in the product)
Other Features		Auto Power on/off *2

*1 Supported only on some projector models. Inquire at a vendor for details. *2 Power turns ON and OFF in conjunction with the MS-1.

Specifications

MS-1

Computer Compatibility	VGA/SVGA/XGA/WXGA/SXGA/SXGA+/UXGA WUXGA, MAC 16"	
Video Compatibility	NTSC/PAL/SECAM/PAL-M,N/NTSC 4.43 SDTV: 480i, 480p, 576i, 576p HDTV: 720p @ 50/60, 1080i @ 50/60, 1080p @ 50/60	
Input	Video	Composite x1
	Computer (RGB)	D-sub 15-pin x2 (Analog)
	Digital	HDMI x 4
	USB	USB-A x 3 (for PC-less presentation, USB wireless adapter) USB-B x 1 (for USB display, USB mouse control)
Audio		3.5φ mini jack x2 MIC x1
	Output	Computer (RGB) D-sub 15pin x1 (Output of D-sub 15-pin input signal only) Digital HDMI x 1
Control terminal	D-sub 9-pin x1 (RS-232C) RJ-45 x1 (NETWORK)	
Structure	Dimensions WxDxH	274 x 193 x 53mm (10.78x7.59x2.08in)
	Weight(body)	0.9kg(1.98lb)
	Others	Kensington Lock, Security bar
Power		DC12V, 1.9A (Power is supplied from AC adapter bundled in the product)
Other	OUTPUT Resolution	AUTO/Fix (VGA/XGA/WXGA/720p/1080p)
Features	A/D Up conversion	Supported
	HDCP Support	Supported
	Projector Control for Hitachi projectors*1	Power ON/OFF, OSD Menu operation, P.J input
	Others	USB Display / PC-less Presentation Content distribution via WiFi with optional USB Wireless Adapter (Option) Remote control OPTION (wired remote / P.J quick connection [iOS App] with USB wireless adapter [USB-WL-11N])
Control Key		Input select / Menu control / Volume up & down / Mic volume up & down / Mute / Blank / Freeze / Output select (WHDI/HDMI)

· Design and specifications are subject to change without notice.

· The projected images in this catalog are simulations.

· The reproduction, transfer or copy of all or any part of this document is not permitted without express written consent.

· Mac®, Macintosh® and Mac OS® are registered trademarks of Apple Inc. · Adobe® and Acrobat®, Reader® are registered trademarks of Adobe Systems Incorporated. · Adobe®, Acrobat®, Flash® and Reader® are registered trademarks or trademarks of Adobe Systems Incorporated in the United States and/or other countries. · Apple®, Macintosh®, Mac OS®, Mac® and QuickTime® are registered trademarks of Apple Inc. · Microsoft®, Internet Explorer®, Windows®, Windows NT® and Windows Vista® are registered trademarks of Microsoft Corporation in the U.S. and/or other countries. · Microsoft®, Excel®, PowerPoint®, Windows®, Windows Vista®, Internet Explorer®, DirectX®, and Windows Media® are trademarks, or registered trademarks of Microsoft Corporation in the United States and/or other countries. · HDMI, the HDMI logo and High-Definition Multimedia Interface are trademarks or registered trademarks of HDMI Licensing LLC in the United States and other countries. · "WHDI" and the WHDI logo are trademarks or registered trademarks of the WHDI Special Interest Group. · Blu-ray Disc™ and Blu-ray™ are trademarks of Blu-ray Disc Association. All other trademarks are the properties of their respective owners.

HITACHI

Hitachi America, Ltd., Digital Media Division

Hitachi Home Electronics Asia (S) Pte. Ltd.

Hitachi Sales (Malaysia) Sdn. Bhd.

Hitachi Sales (Thailand), Ltd.

Hitachi (Hong Kong), Ltd.

Hitachi Sales Corp. of Taiwan

Hitachi Australia Pty Ltd.

Hitachi Europe Ltd., Digital Media Group Consumer Affairs Department Whitebrook Park, Lower Cookham Road, Maidenhead, Berkshire, SL6 8YA, UK Tel: +44-1628-585000 www.hitachidigitalmedia.com

900 Hitachi Way, Chula Vista, CA 91914-3556, U.S.A. and Canada Tel: +1-800-225-1741 www.hitachi-america.us/digitalmedia

438A Alexandra Road #01-01/02/03, Alexandra Technopark, 119967, Singapore Tel: +65-6536-2520 www.hitachiconsumer.com.sg

Lot 12, Jalan Kemajuan, Bangi Industrial Estate, 43650 Bandar Baru Bangi, Selangor Darul Ehsan, Malaysia Tel: +60-3-8911-2670 www.hitachiconsumer.com.my

994, 996 Soi Thonglor, Sukhumvit 55 Road, Klongtonnua, Vadhana Bangkok 10110, Thailand Tel: +66-2335-5455 www.hitachi-th.com

18th Floor, Ever Gain Centre, 28 On Muk Street, Shatin, N.T., Hong Kong Tel: +852-2113-8883 www.hitachi-hk.com.hk

2nd Floor, No.65, Nanking East Road, Section 3, Taipei 104, Taiwan Tel: +886-2-2516-0500 www.hsct.com.tw

Suite 801, Level 8, 123 Epping Road, North Ryde NSW 2113, Australia Tel: +61-2-9888-4100 www.hitachi.com.au