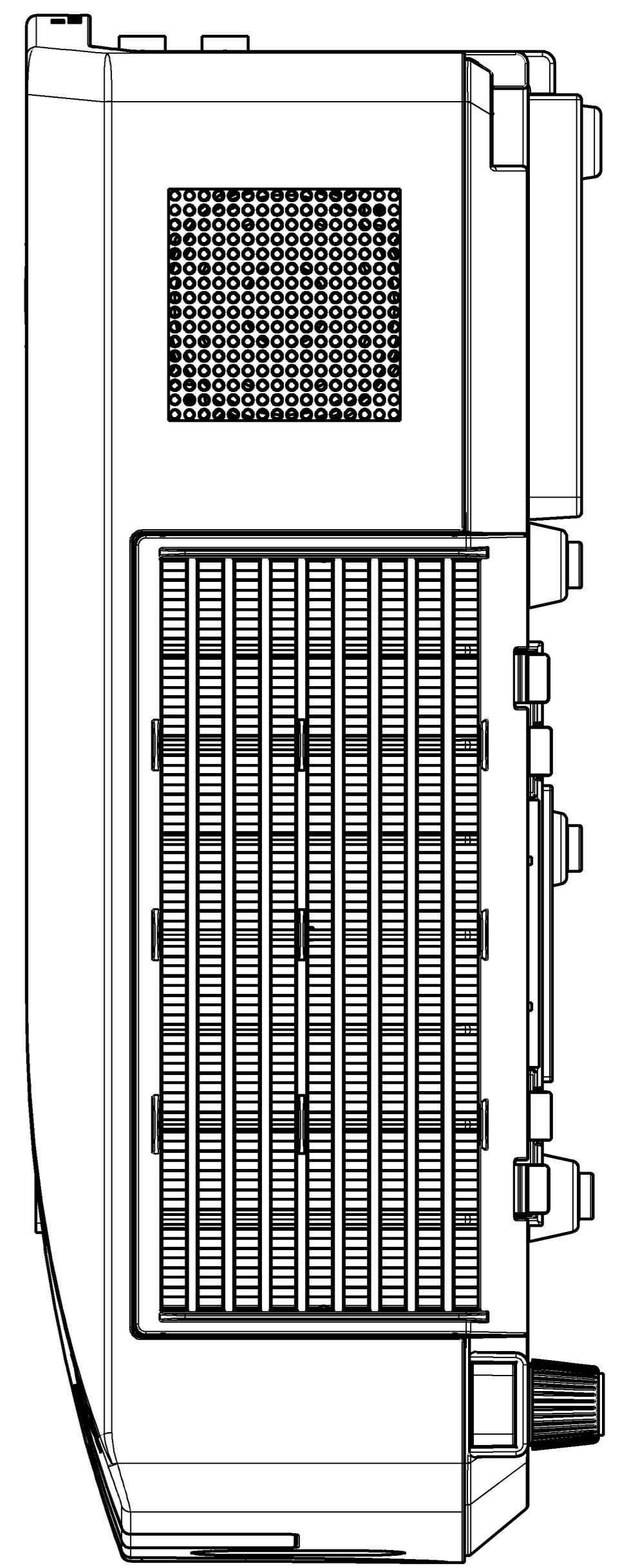
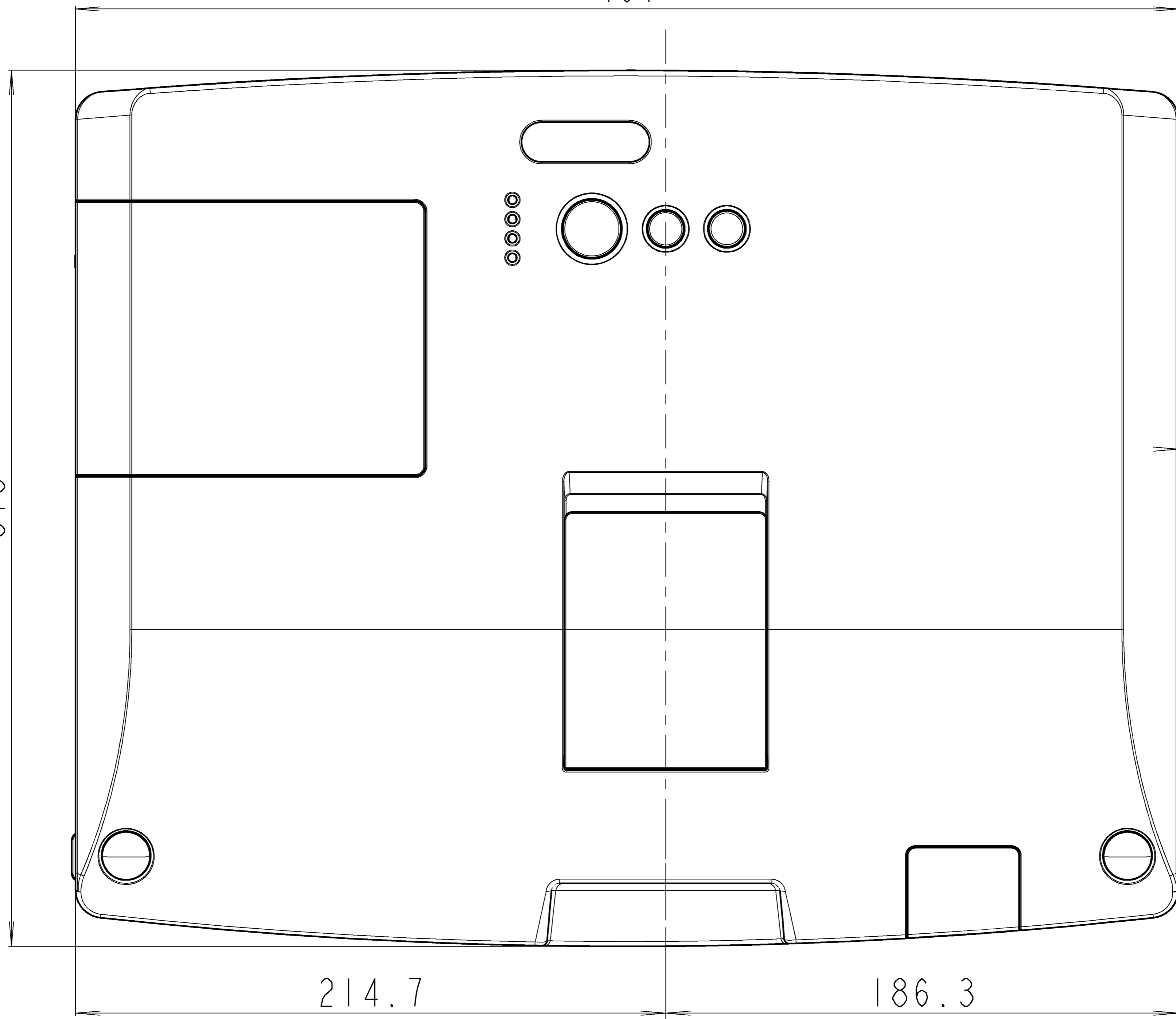
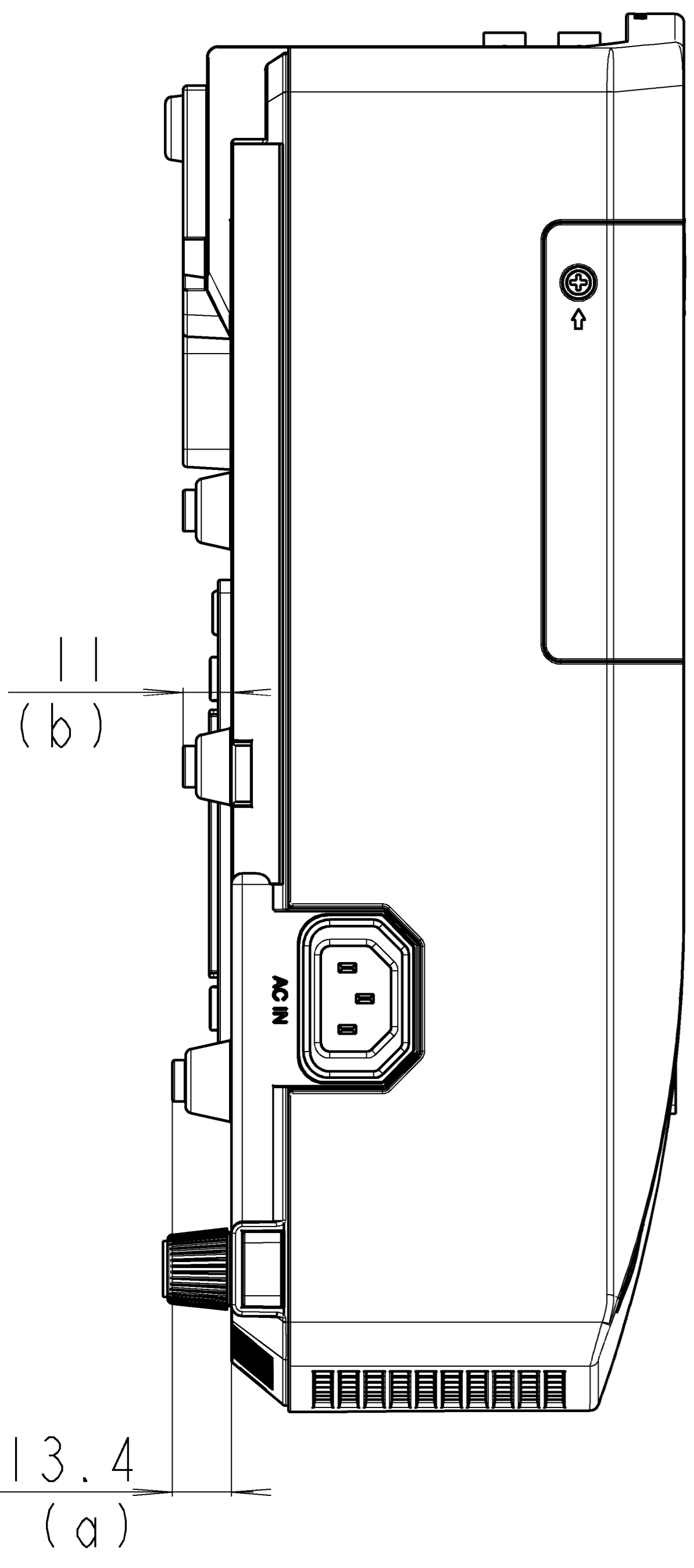
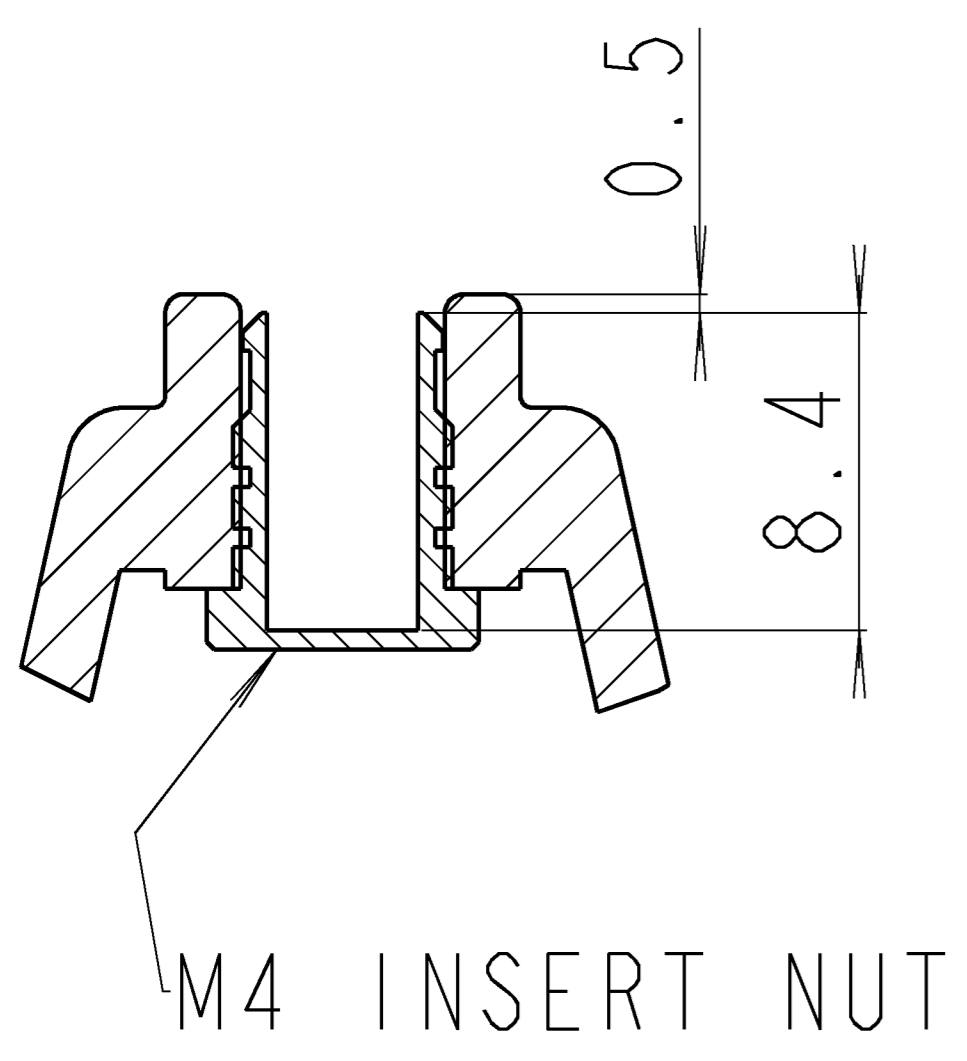


401

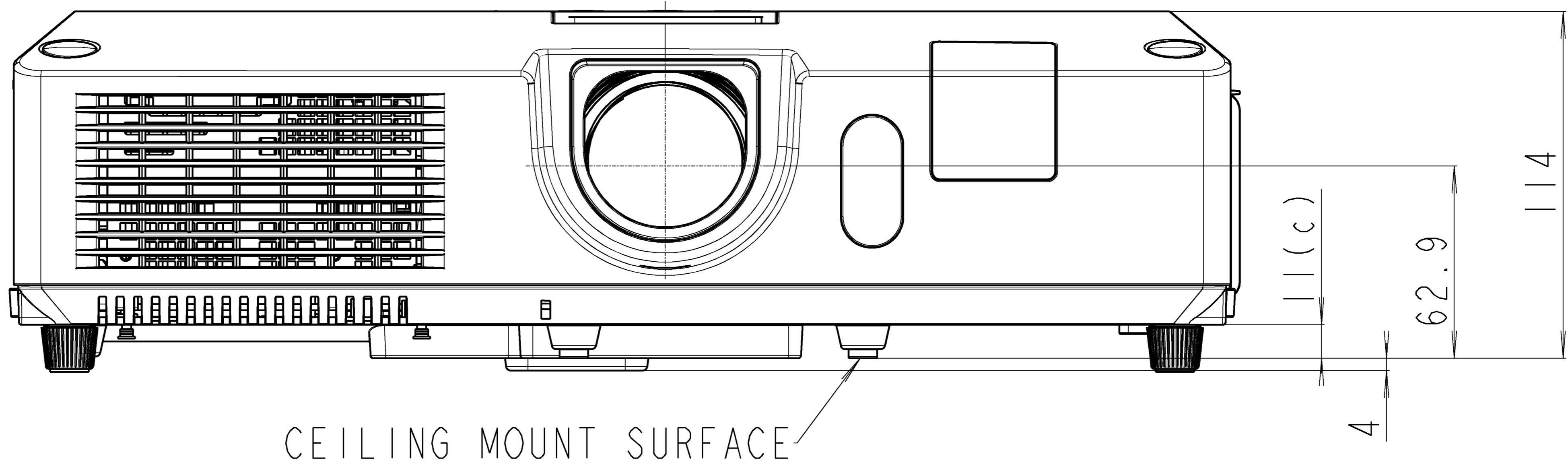


[Unit: mm]

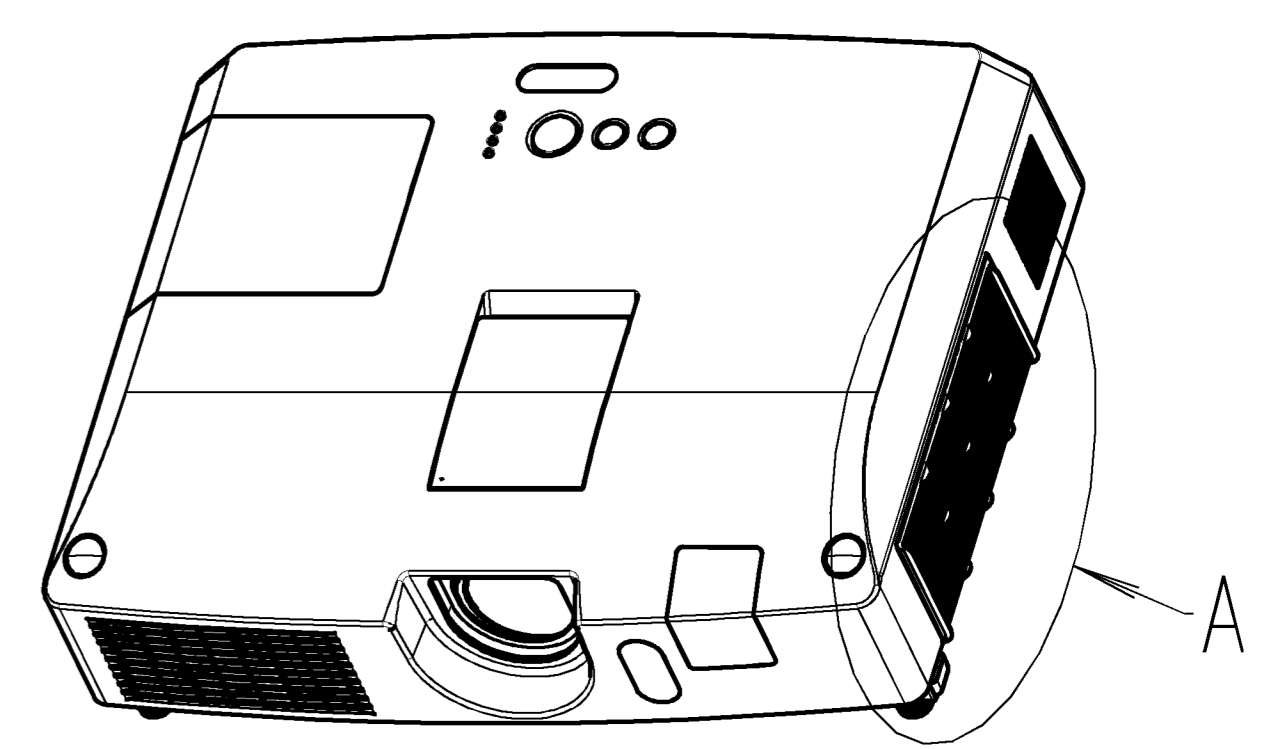
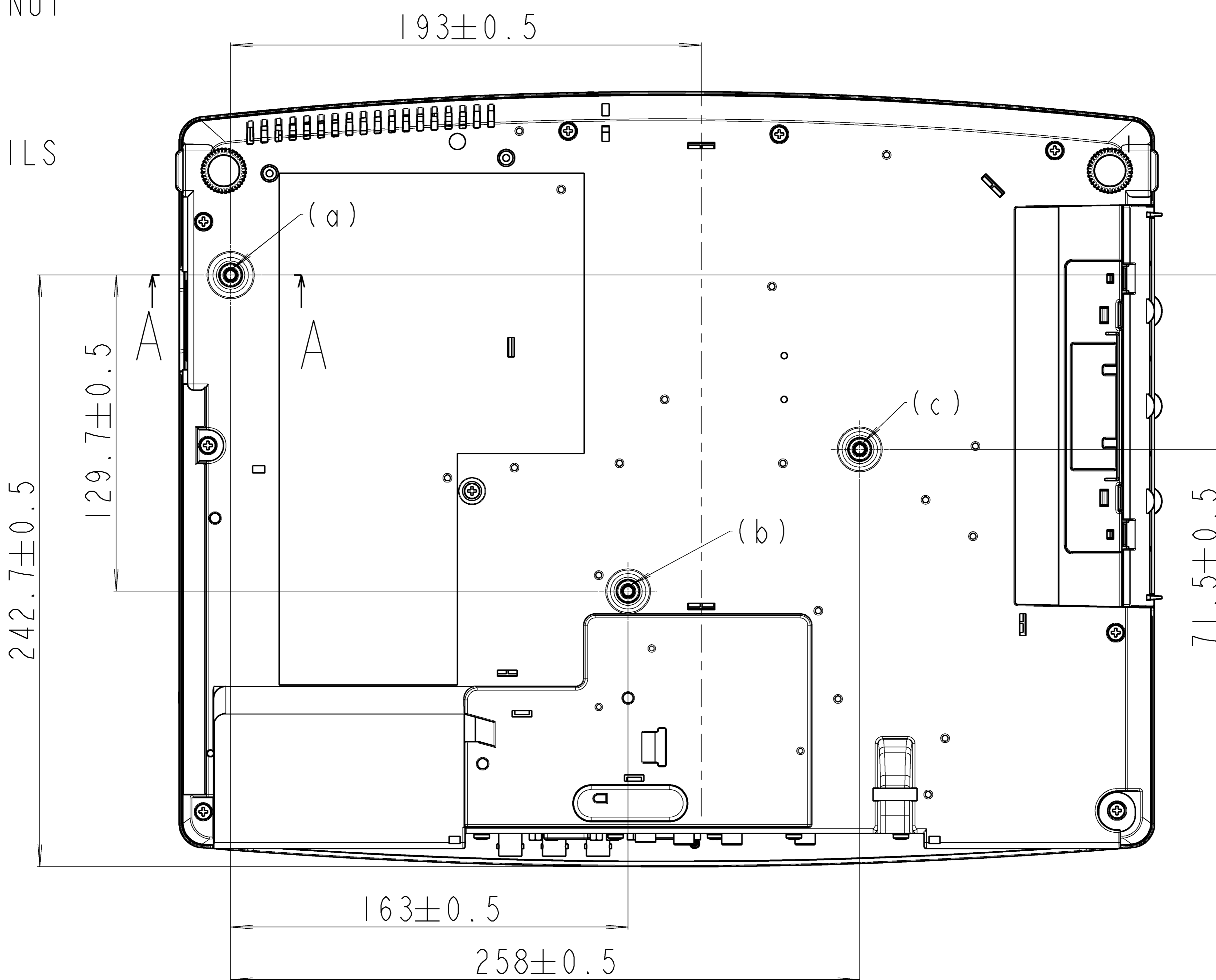


M4 INSERT NUT

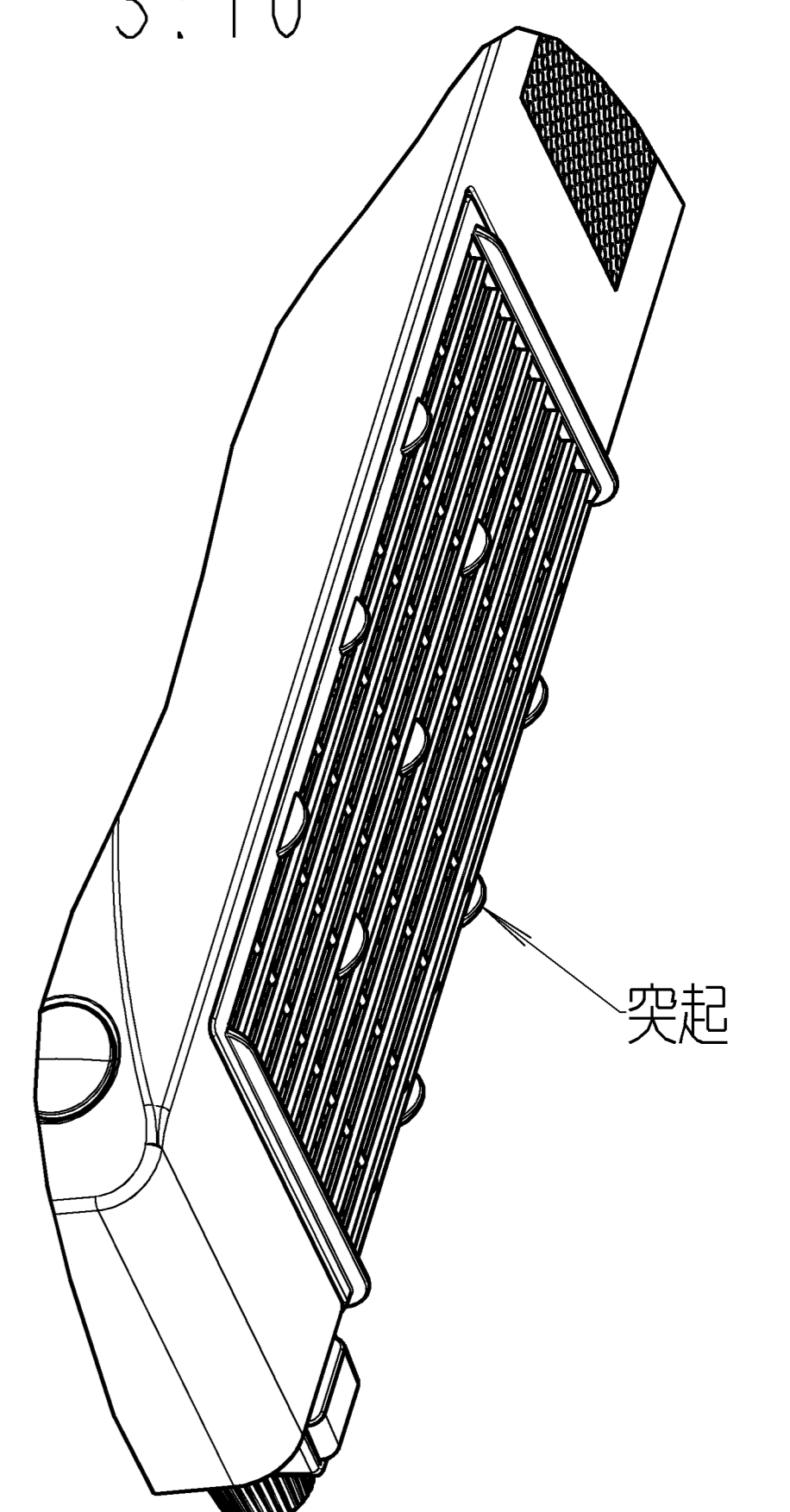
A-A
5:1
3 THREADS DETAILS



CEILING MOUNT SURFACE



3:10



A
1:1